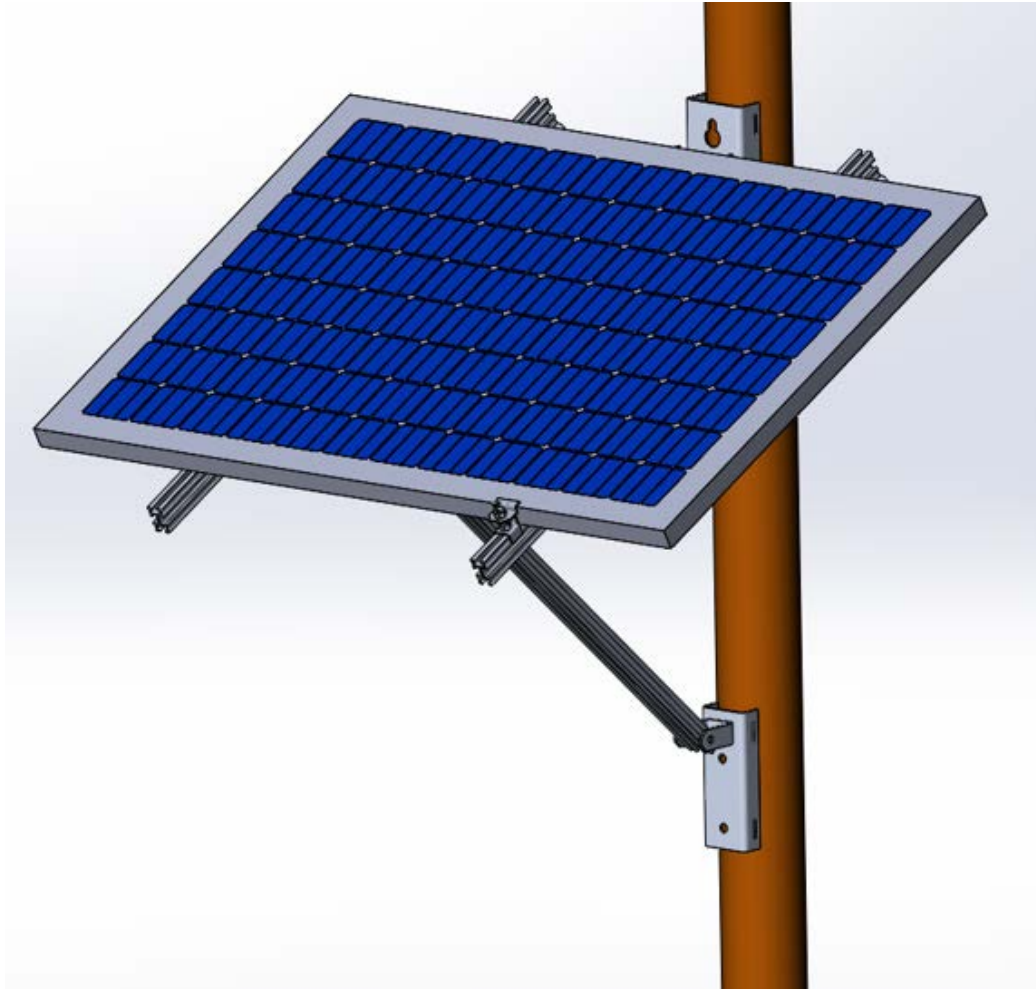
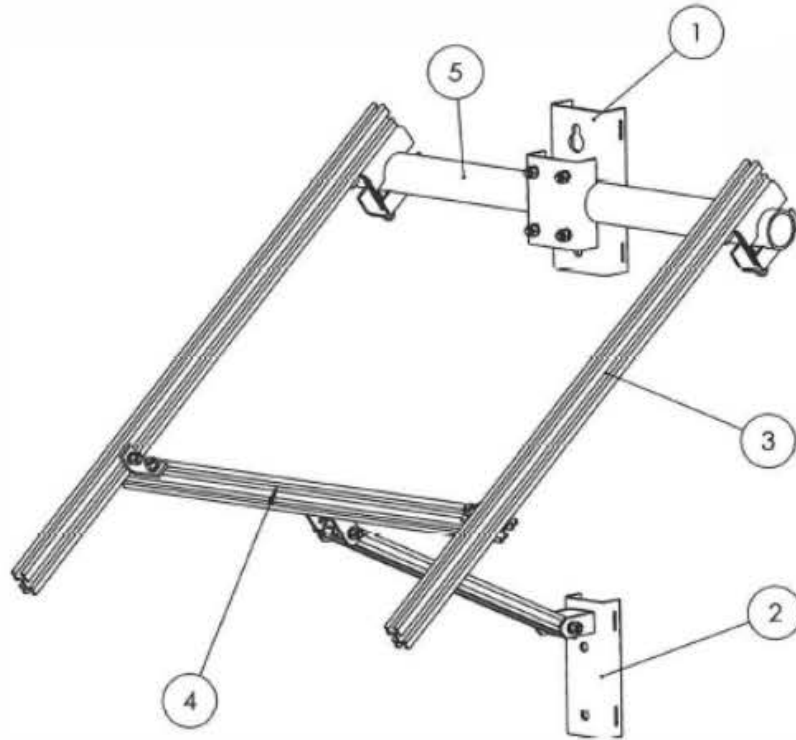


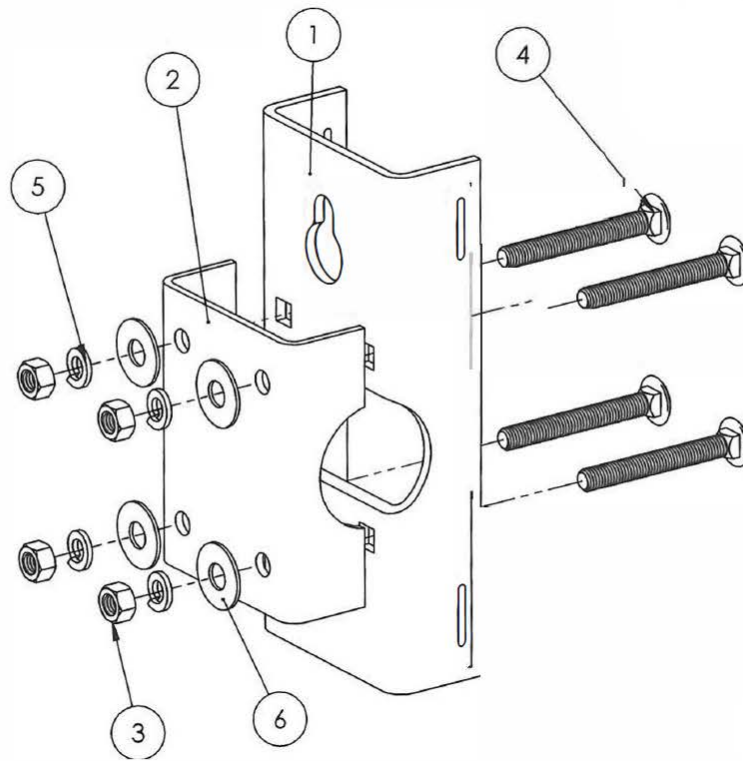
ESPI UPM124585



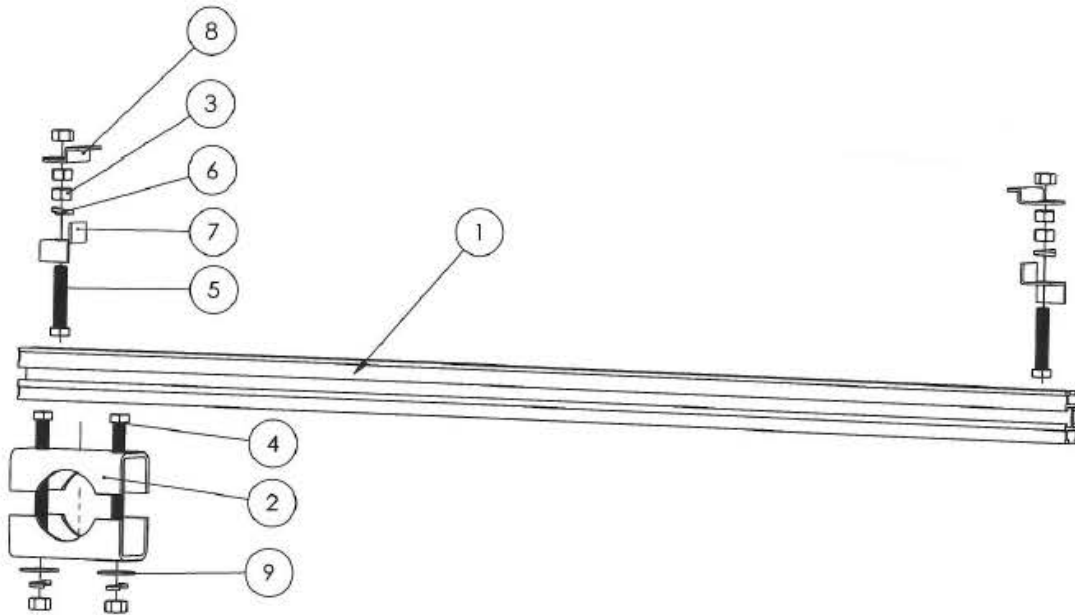
Solar Panel Pole Mount Kit



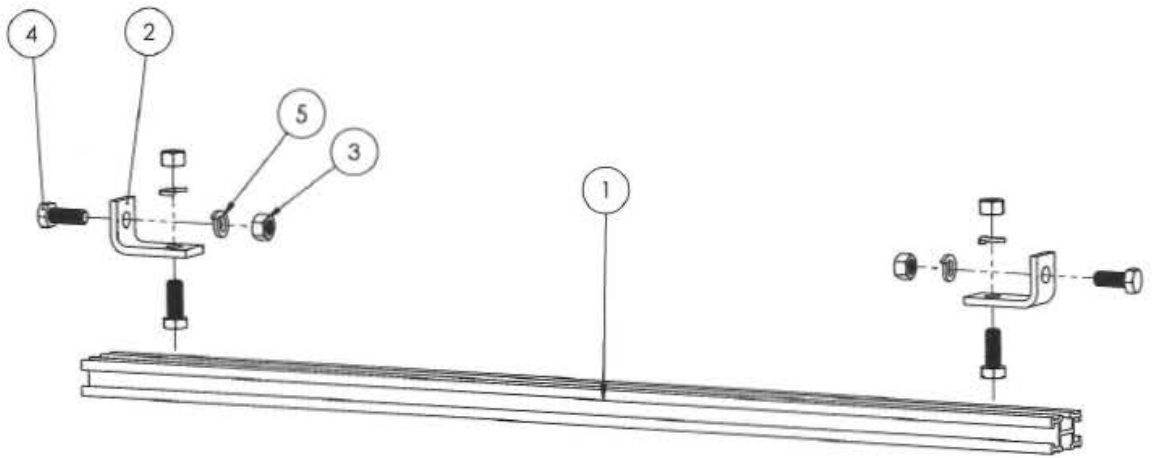
Part #	Description	Qty
1	Upper Bracket	1
2	Lower Bracket	1
3	Arm	2
4	Cross Brace	1
5	Pipe Support	1



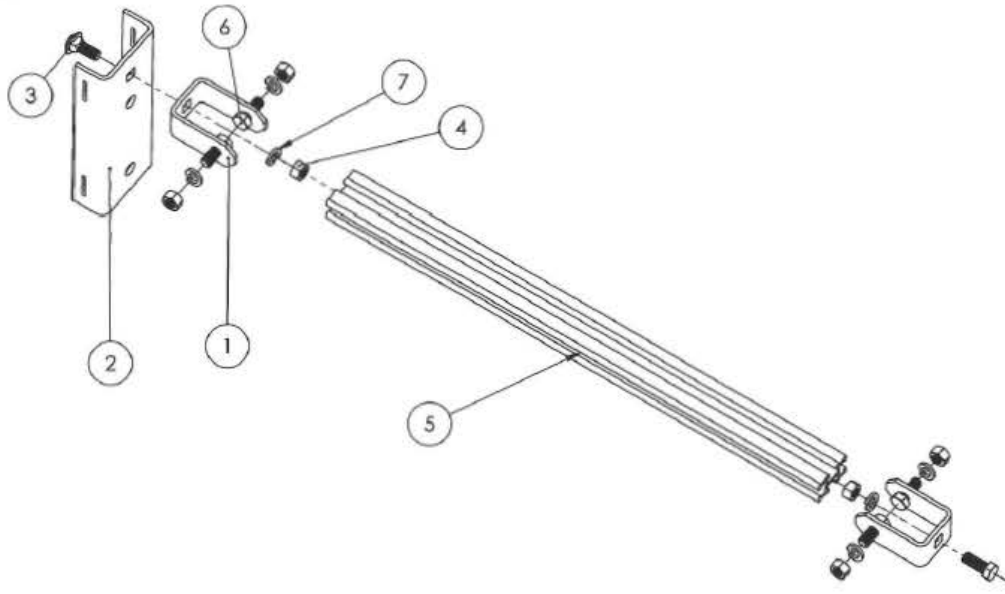
Part#	Description	Qty
1	Upper Back Plate	1
2	Plate Clamp	1
3	1/2" Nut	4
4	1/2" x 4" Carriage Bolt	4
5	1/2" split washer	4
6	1/2" flat washer	4



Part#	Description	Qty
1	48" 4 way channel	1
2	Channel clamp	2
3	1/2" Nut	8
4	1/2" x 5.5" bolt	2
5	1/2" x 2.5" bolt	2
6	1/2" split washer	4
7	Bottom panel clamp	2
8	Top panel clamp	2
9	1/2" flat washer	2



Part#	Description	Qty
1	36" 4-way channel	1
2	Support clip	2
3	1/2" Nut	4
4	1/2" x 1.25" bolt	4
5	1/2" split washer	4



Part#	Description	Qty
1	Center strut mount	2
2	Lower back plate	1
3	1/2" x 1.25" carriage bolt	1
4	1/2" nut	6
5	27" 4-way channel	1
6	1/2" x 1.25" bolt	5
7	1/2" split washer	6

If mounting to a wooden pole a through bolt is recommended for the top hole of the upper back plate. As an alternative a 3/8" lag screw with a minimum length of 6" may be used. 5/16" lag screws may be used on the lower bracket and the bottom hole of the upper bracket.

If mounting to a metal pole there are slots cut in the main brackets to run banding through.

370 watt Solar Panel dimensions:

Length 77.5"
Width 39"
Thickness 1.625"
Weight 37lbs.

Solar Panel Mounting Bracket dimensions:

Length 48-78"
Width 40"
Depth 10-48"
Weight 35lbs.

